

DHB-P1A DEDICATED HOLDING BIN



DHB-P1A

FEATURES

- Compact design allows bin to fit anywhere.
- Pass-thru design for access from front and back.
- Ideal for holding biscuits, fried foods and/or pre-packaged menu items separately or together.
- Easily accommodates two 1/2-size sheet pans.
- Exclusive Reli-A-Temp™ infrared heaters provide consistent temperature for an ideal holding environment.
- Independent upper and lower heating system per cavity.
- Adjustable temperature from 150°F - 275°F.
- Solid state digital controls.
- On/Off main power switch.
- Stainless steel and aluminum construction.
- One-year warranty.

CAPACITY:

- Six 1/3-size pans
- Four 1/2-size pans

Prince Castle Dedicated Holding Bins are ideal for almost any operation, especially those preparing and holding food prior to serving. Using patented Reli-A-Temp heating technology, Prince Castle DHBs keep exterior bin surfaces cool while food is held at proper serving temperatures and moisture levels. Users of Prince Castle DHBs have realized many benefits, including better food quality, longer holding times, reduced food waste and greater equipment reliability.

Prince Castle designed each DHB with flexibility in mind. Whether it is the unique pan/cover system that allows operators to customize and maximize food holding capabilities, or the space-conscious footprint, Prince Castle DHBs have an important place in any kitchen.

Each cavity's temperature is digitally-controlled by Prince Castle's time-tested technology, ensuring that food is always being held at desired temperatures, making HACCP and ServSafe programs easier to implement.

The DHB-P1A is ideal for holding biscuits, fried foods and/or pre-packaged menu items separately or together. Featuring a pass-thru design, allowing access from back and front of the bin and a small footprint, the DHB-P1A's flexibility makes it a great choice for your kitchen system.

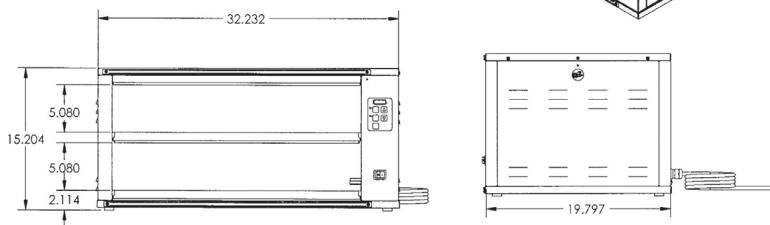
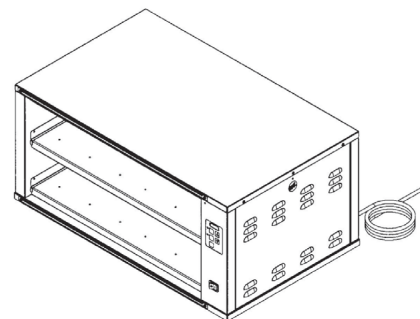
DIMENSIONS

Model Number	Width in(cm)	Height in(cm)	Depth in(cm)	Shipping Weight lb(kg)	# of Independently Controlled Heaters
DHB-P1A	32.23 (81.86)	15.20 (38.61)	19.80 (50.29)	90.00 (40.82)	4

ELECTRICAL INFORMATION

Model Number	Volts	Hz	Watts	Amps	Plug Number
DHB-P1A	208-240	50/60	3330	13.87	6-15P
DHB-P1ACE	230	50	3130	13.4	CE/7/SCHUKO

CERTIFICATIONS



Designs and Specifications are subject to change without notice.