



**TRUE REFRIGERATION  
INTERNATIONAL**

UK Tel +44 (0) 1709 888 080 • Germany Tel +49 (0) 7622 6883 0  
Free Phone to U.S. 0 800 894 928 • www.truemfg.com



4/20

Model:

**TUC-24G-HC~FGD01**

**Undercounter:**

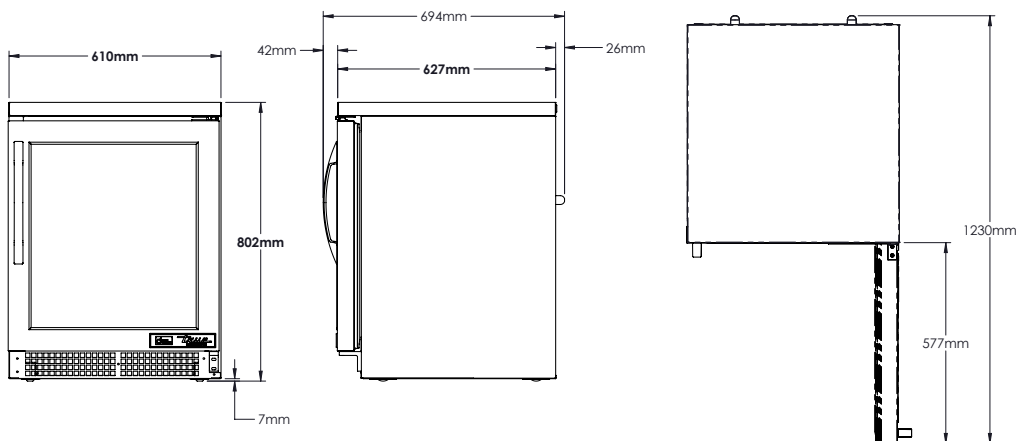
*Glass Door Refrigerator with Hydrocarbon Refrigerant~Framed Glass Door Version 01*



### TUC-24G-HC~FGD01

- ▶ True's undercounter units are designed with enduring quality that protects your long term investment.
- ▶ Designed using the highest quality materials and components to provide the user with colder product temperatures, lower utility costs, exceptional food safety and the best value in today's food service marketplace.
- ▶ Factory engineered, self-contained, capillary tube system using environmentally friendly R290 hydro carbon refrigerant that has zero (0) ozone depletion potential (ODP), & three (3) global warming potential (GWP).
- ▶ All stainless steel front, top and ends. Corrosion resistant GalFan coated steel back.
- ▶ Interior - attractive, NSF approved, clear coated aluminum liner. Stainless steel floor with coved corners.
- ▶ Energy efficient, "Low-E", double pane thermal insulated glass door.
- ▶ LED interior lighting provides more even lighting throughout the cabinet. Safety shielded.
- ▶ Heavy duty PVC coated wire shelves.
- ▶ Foamed-in-place using a high density, polyurethane insulation that has zero ozone depletion potential (ODP) and zero global warming potential (GWP).

### PLAN VIEW



### ROUGH-IN DATA

Specifications subject to change without notice.  
Chart dimensions rounded up to the next whole millimeter (inches rounded up to the next 1/8").

Model	Doors	Shelves	Cabinet Dimensions (mm)			HP	Voltage	Amps	Capacity (litres)	Refrigerant	Crated Weight (kg)
			W	D†	H						
TUC-24G-HC~FGD01	1	2	610	627	802	1/6	220-240V/50-60Hz	1.03	139	R290	75

† Depth does not include 26mm for rear bumpers and 42mm for door handle.